

TM Site:

Description:

P-17-30NS

ROUTE 9, 0.6 km NORTH OF OLD YALE ROAD, ROSEDALE

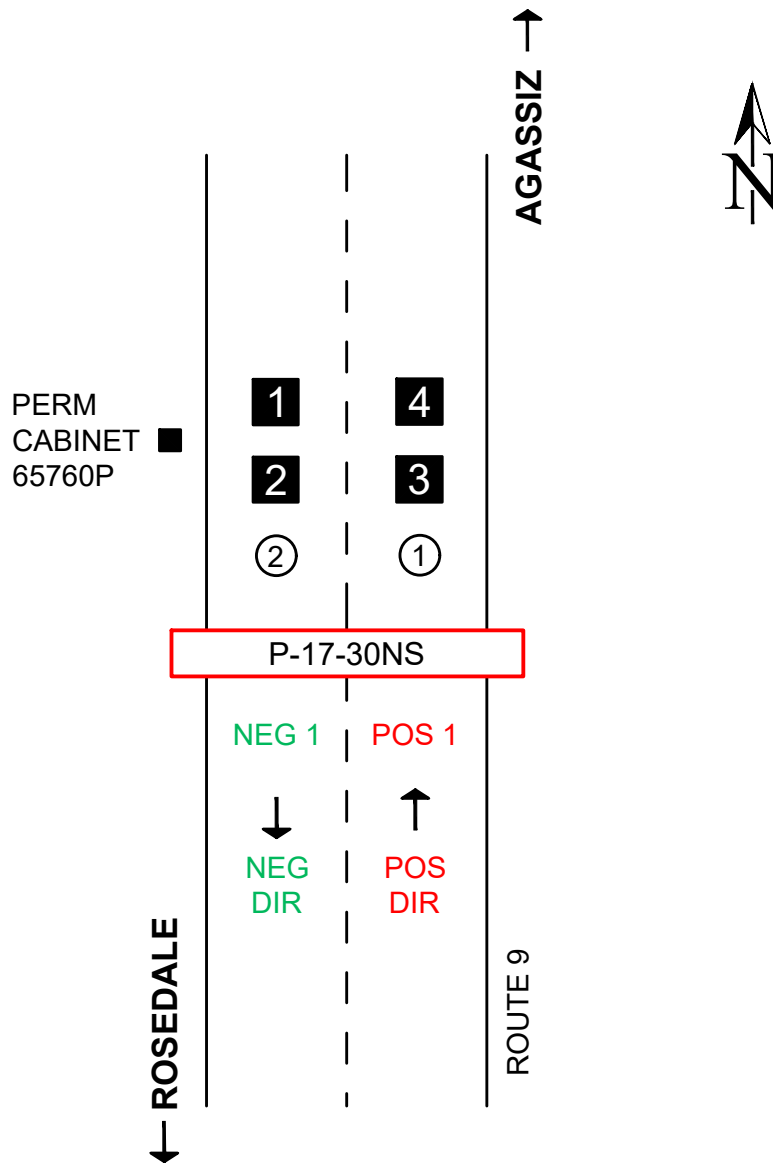
Station: 65760P

Name: ROSEDALE OVERPASS

Survey:

- ▲ - Short Count Post
- - Loops
- - Cabinet
- - Junction Box

- - Traffic Measurement Site
- ① - Channels
- A - Detectors



NOT TO SCALE

Highway Planning Branch
TRANHighway Planning@gov.bc.ca

Revised Date: March / 2019
Version 1-A